

SANWA STAINLESS STEEL

# MAGNET DRIVE PUMP STAINLESS MAG



SANWA PUMP

**SM**

**Compact Design**

**Highly Durable and Efficient**

**Simple Maintenance**



MANUFACTURER

**SANWA HYDROTECH CORPORATION**

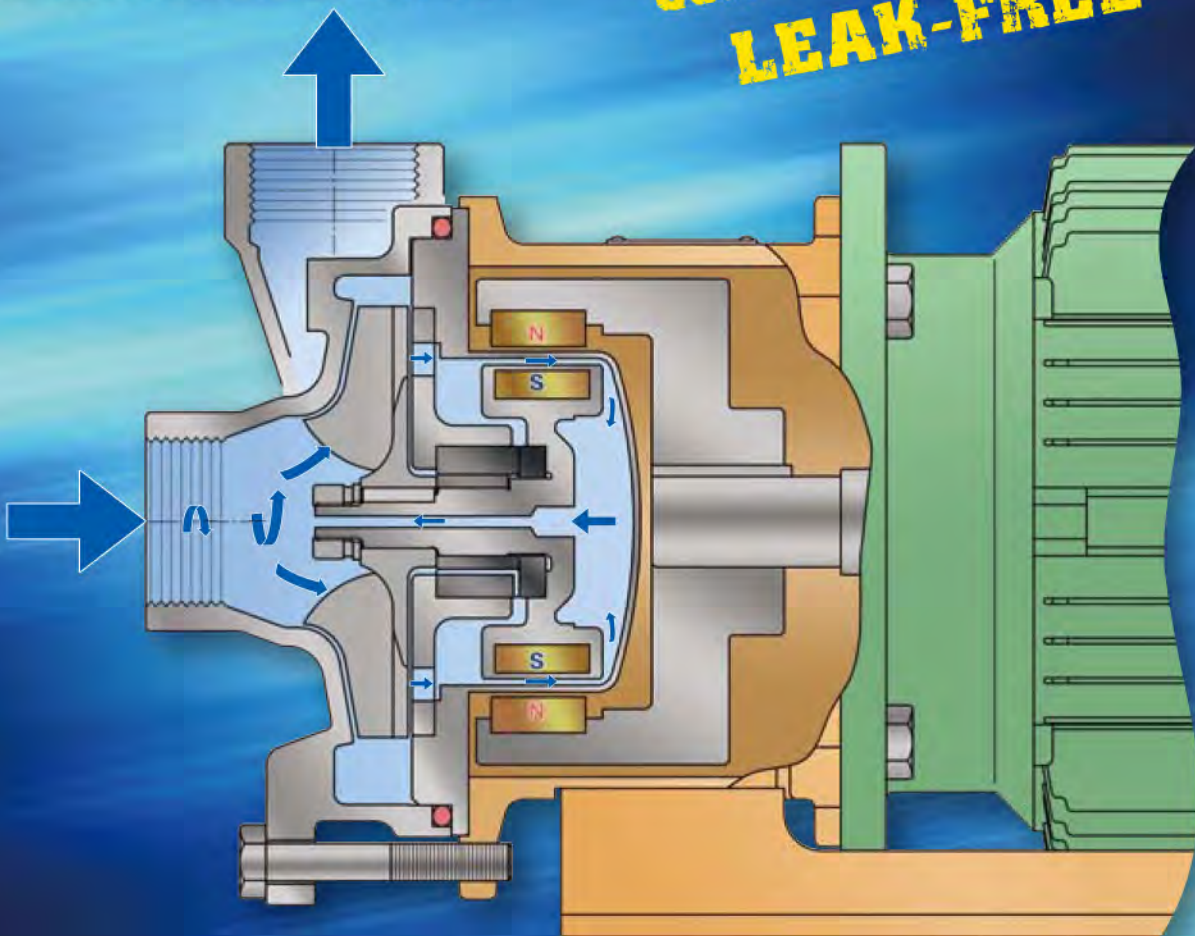
[www.sanwapump.com](http://www.sanwapump.com)

# Remodeling of Sanwa Magnet Drive Pump with more space-saving and energy-saving benefit.



SANWA STAINLESS STEEL  
**MAGNET DRIVE PUMP**  
**STAINLESS MAG**

**COMPACT DESIGN**  
**LEAK-FREE**

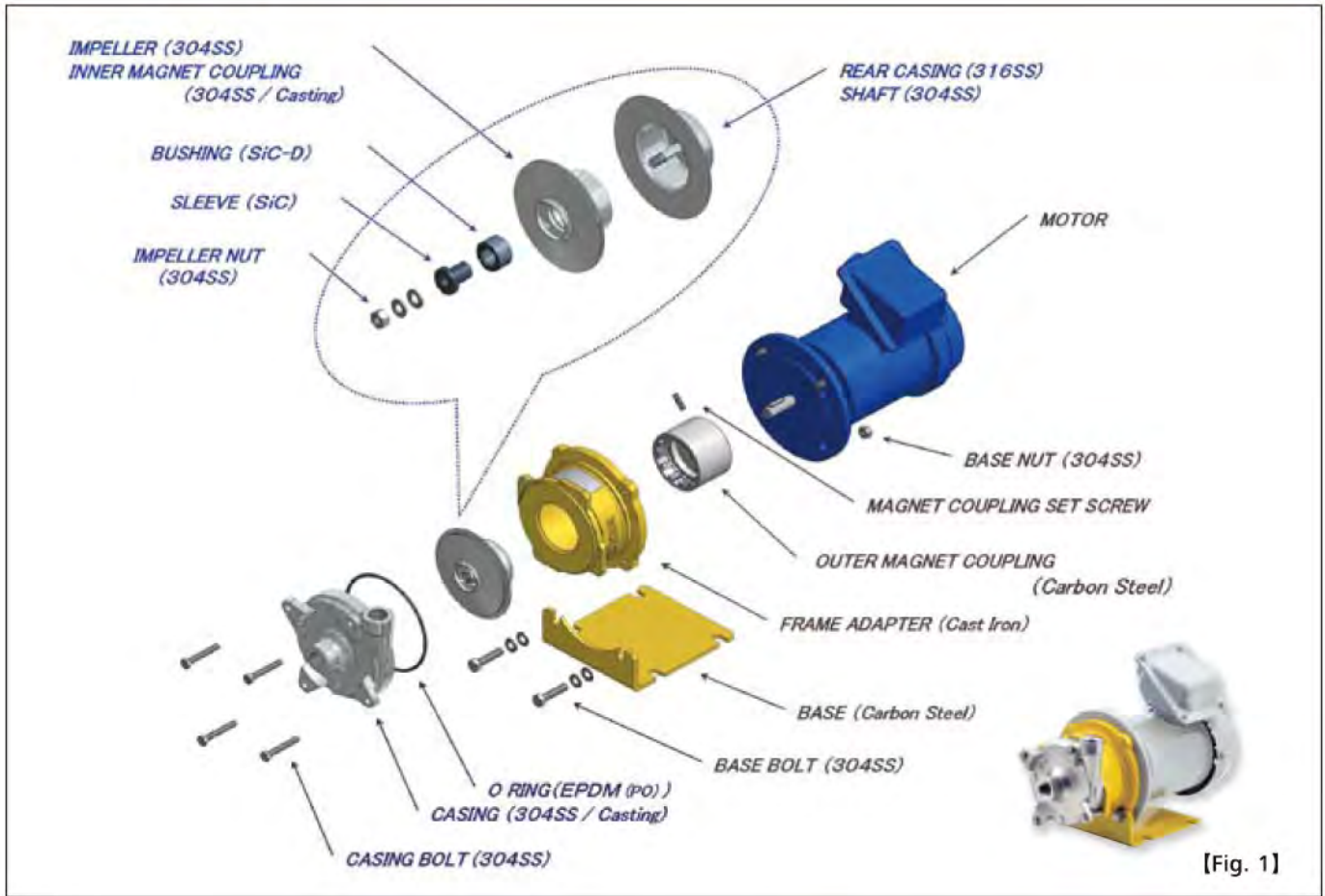


## Features

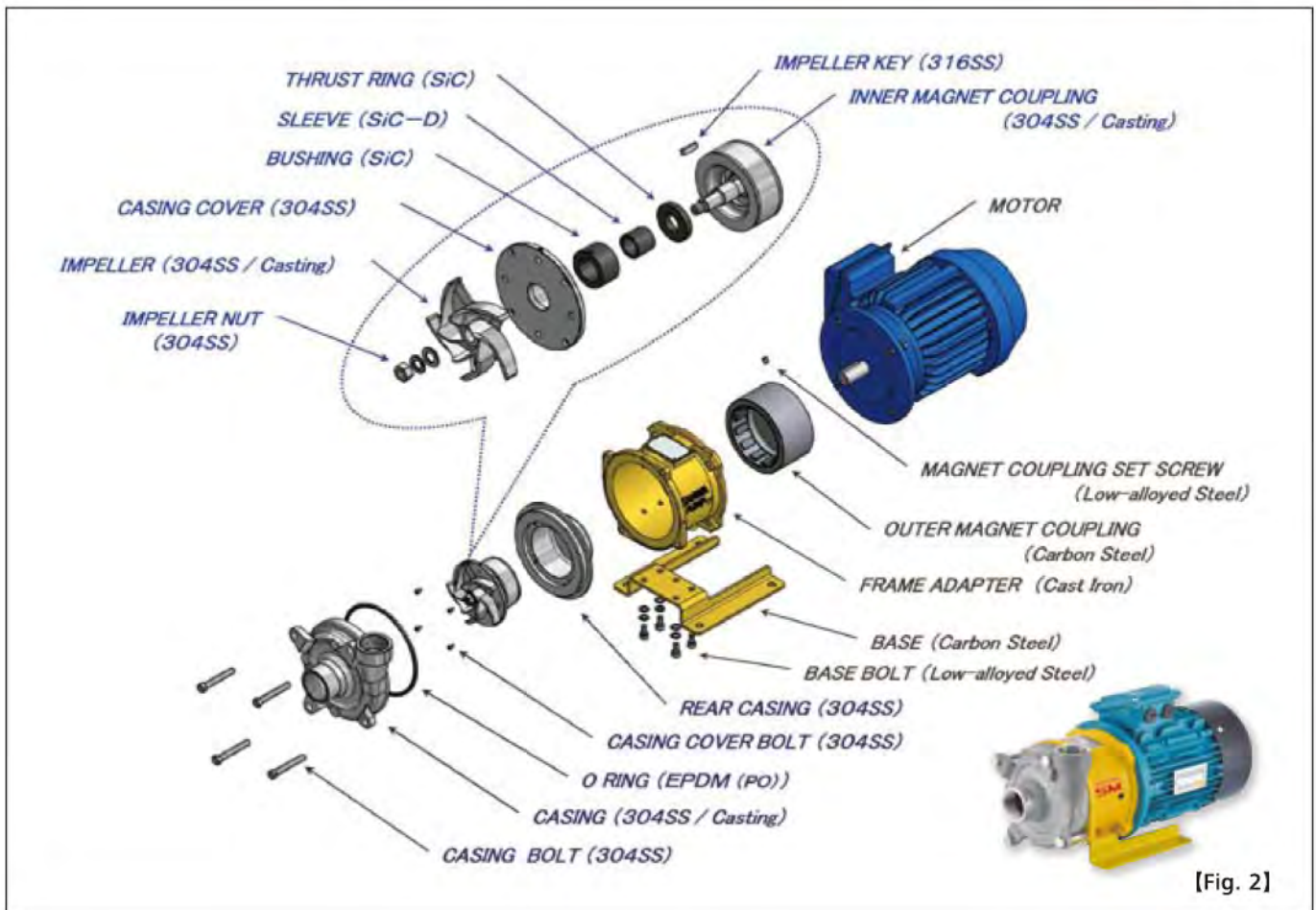
- ▶ Easy cleaning --- Standard open impeller. Easy to clean.
- ▶ Durable --- SiC wet bearing is adopted as a standard. Ensures durability and no frictional wear.
- ▶ Energy saving --- Reduced electric consumption by 10% due to unique design concept.
- ▶ Easy maintenance --- Simple construction of single wet bearing design makes disassembly and reassembly easy.



**Construction and Materials**



[Fig. 1]

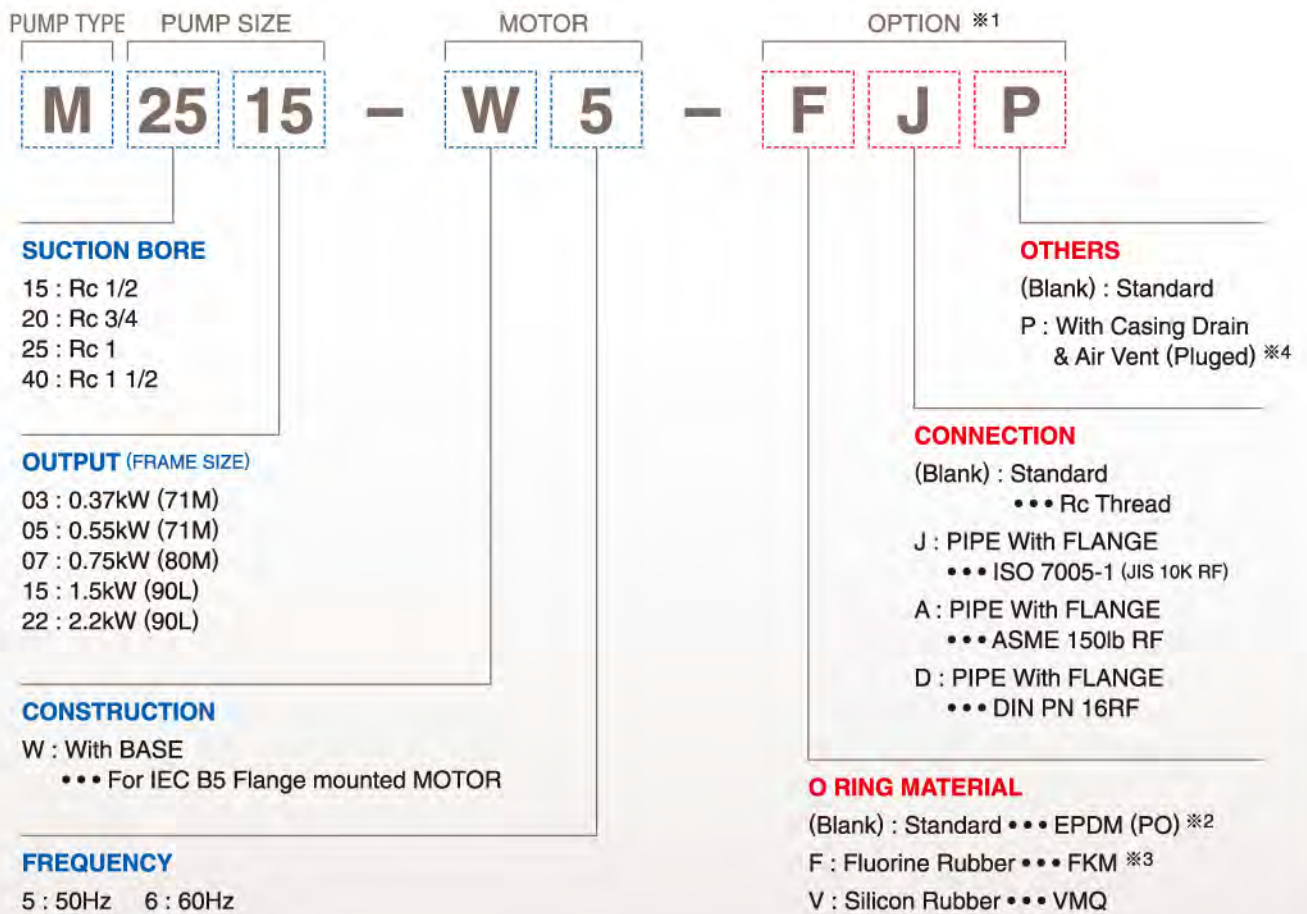


[Fig. 2]

## Standard Specifications

General	Design pressure		0.4 MPa (Motor : 0.37kW • 0.55kW)
			0.6 MPa (Motor : 0.75kW • 1.5kW • 2.2kW)
	Max. Temperature		100°C
	Min. Temperature		-20°C
	Type of impeller		Close (Motor : 0.37kW • 0.55kW)
			Open (Motor : 0.75kW • 1.5kW • 2.2kW)
	Material	PUMP	304 Stainless Steel
O Ring		EPDM (PO) { Option : FKM, VMQ }	
Bearing		SiC (Ceramic)	
Motor		3 Phase 200V / 220V / 380V / 400V / 440V	

## Product codes



※1 For standard pump without any options, please keep the optional code blank.

※2 The heat-resistance of EPDM(PO) is greater than that of conventional EPDM.

※3 The temperature range of FKM O ring is from 0 to 100°C.

※4 Plug size : Rc1/8 (1503,2505) Rc1/4 (other models)

## Typical Performance

Frequency (Hz)	Product Code	Bore		MOTOR (kW)	Typical Performance (Small Capacity)		S.G.	VIS. (mPa·s)
		Suction	Discharge		Total Head (m)	Capacity (ℓ/min)		
50	M 1503 - W5	15mm (Rc 1/2)	15mm (Rc 1/2)	0.37	10 (12)	24 (6)	~ 1.0	Less than 10
	M 2005 - W5	20mm (Rc 3/4)	20mm (Rc 3/4)	0.55	13 (14)	28 (7)		
	M 2505 - W5	25mm (Rc 1)	25mm (Rc 1)	0.55	8 (9)	64 (16)		
	M 2007 - W5	20mm (Rc 3/4)	20mm (Rc 3/4)	0.75	14 (17)	35 (8)		
	M 2515 - W5	25mm (Rc 1)	25mm (Rc 1)	1.5	14 (16)	85 (20)		
	M 2522 - W5	25mm (Rc 1)	25mm (Rc 1)	2.2	21 (26)	110 (30)		
	M 4022 - W5	40mm (Rc1 1/2)	40mm (Rc1 1/2)	2.2	16 (18)	190 (50)		
60	M 1503 - W6	15mm (Rc 1/2)	15mm (Rc 1/2)	0.37	14 (16)	28 (7)	~ 1.0	Less than 10
	M 2005 - W6	20mm (Rc 3/4)	20mm (Rc 3/4)	0.55	18 (20)	32 (8)		
	M 2505 - W6	25mm (Rc 1)	25mm (Rc 1)	0.55	11 (13)	72 (18)		
	M 2007 - W6	20mm (Rc 3/4)	20mm (Rc 3/4)	0.75	20 (25)	40 (10)		
	M 2515 - W6	25mm (Rc 1)	25mm (Rc 1)	1.5	20 (24)	100 (25)		
	M 2522 - W6	25mm (Rc 1)	25mm (Rc 1)	2.2	30 (38)	130 (30)		
	M 4022 - W6	40mm (Rc1 1/2)	40mm (Rc1 1/2)	2.2	20 (26)	270 (70)		

Please contact the agency if you have any question about the specifications of the pump.



< The relation of S.G. and viscosity to pump performance >

Performance curves assume liquid pumped is water with S.G. of 1.0 and viscosity of 1.0mPa·s.

Pump performance will be affected with liquids which have a S.G. and viscosity different than water.

• Specific Gravity ( : S.G.)

Capacity (ℓ/min) : **No change**

Total head (m) : **No change**

Power (kW) : **Increase or decrease**

• Viscosity (10 cSt and above)

Capacity (ℓ/min) : **Decrease**

Total head (m) : **Decrease**

Power (kW) : **Increase**

### Significantly increased dry running capability!

- SiC-D bearings can withstand accidental dry run for extended periods.
- Unique materials and manufacturing techniques of our specially treated SiC-D bearings provide a coefficient of friction 1/4 that of SiC.
- The very low coefficient of friction of our SiC-D bearings results in much less heat being generated in upset or dry running conditions. SiC-D bearings are more forgiving of dry running conditions frequently encountered at start up, during upset conditions or in batch services. Extremely hard surfaces minimize wear and prolong service life; resistance to chemicals is maintained for extended bearing life.

BUSHING (SiC)



THRUST RING (SiC)



SLEEVE (SiC-D)



M1503-W5 (Standard)



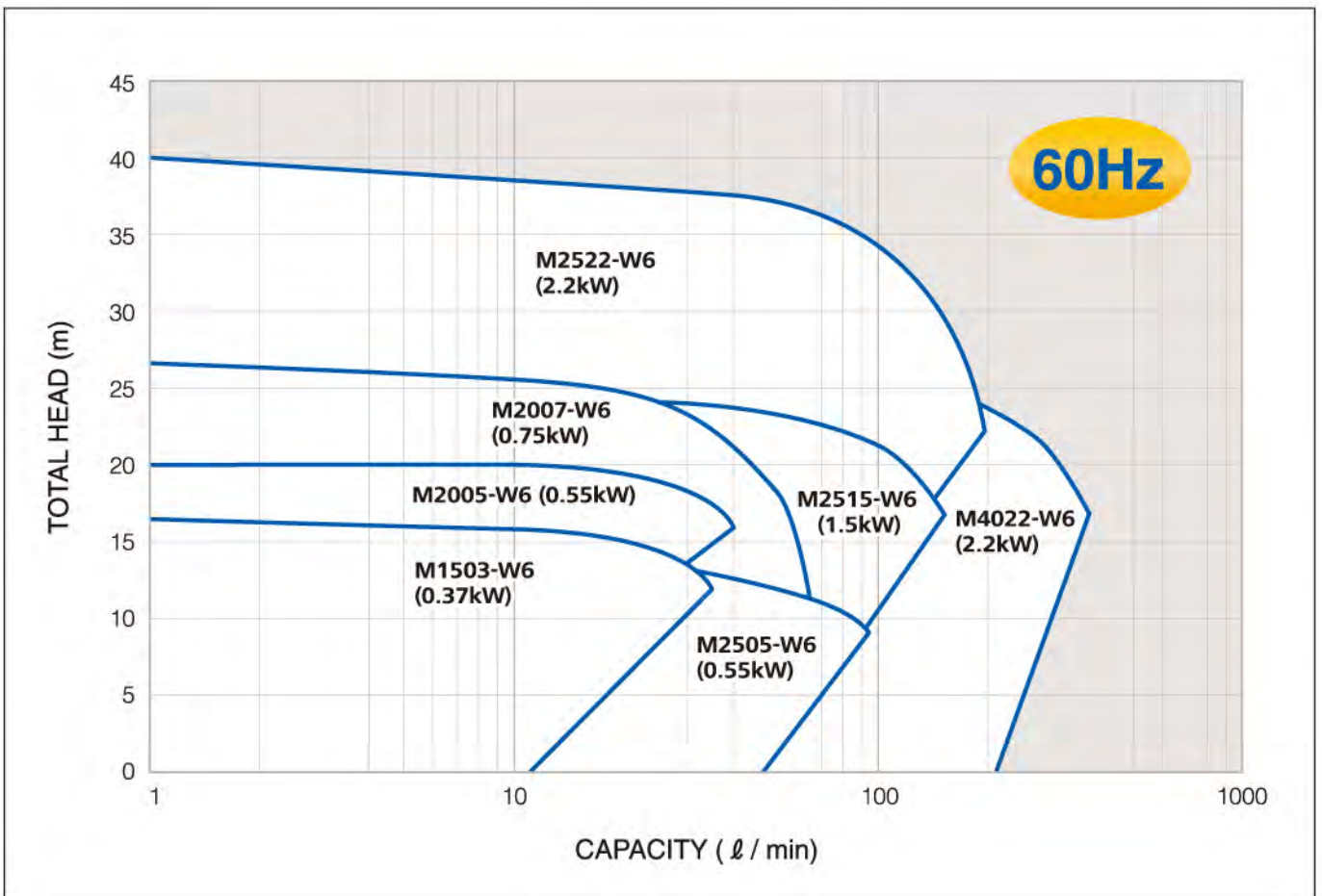
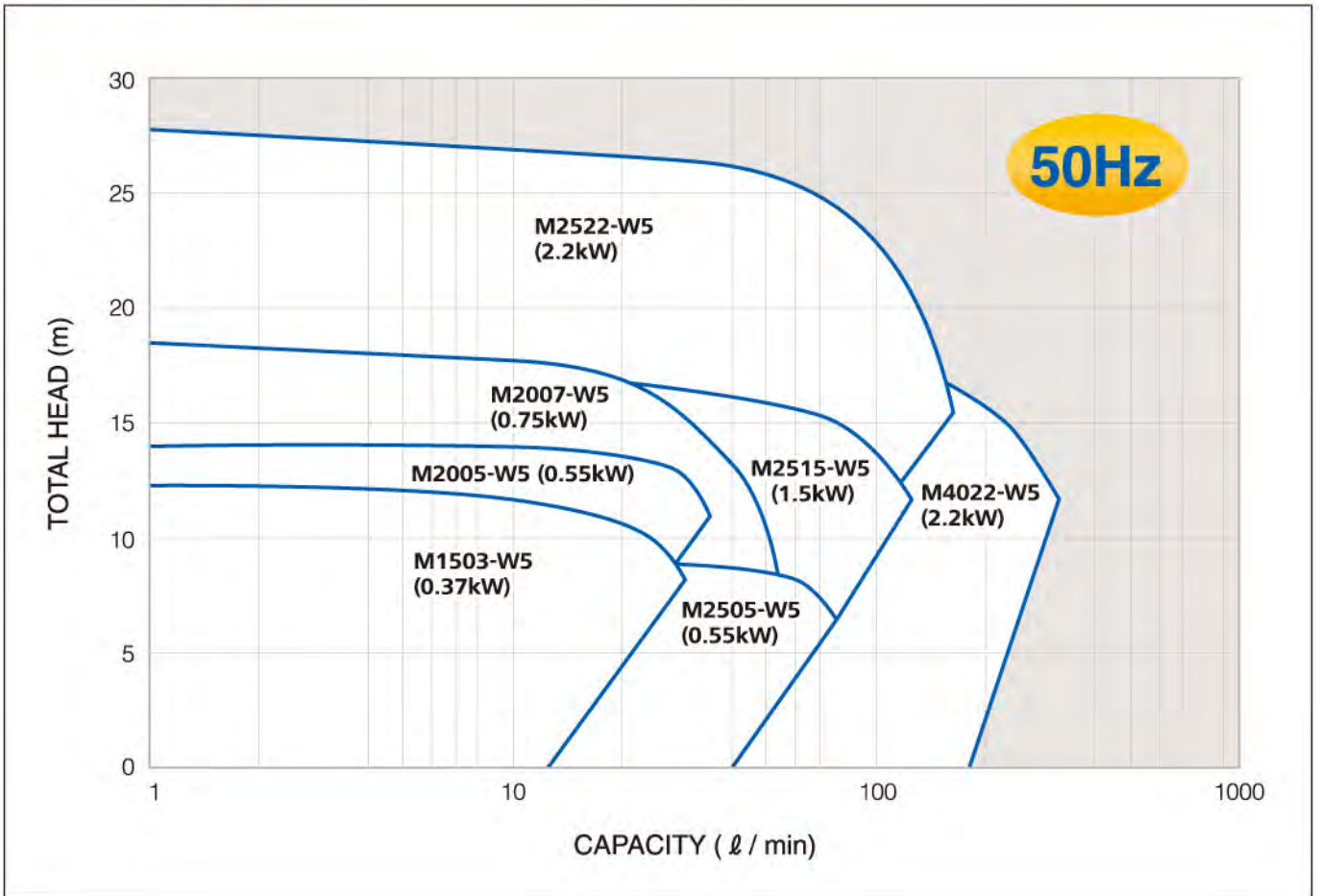
M2505-W5 (Standard)



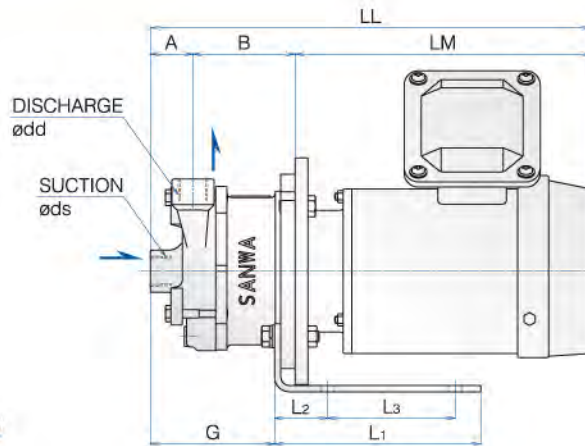
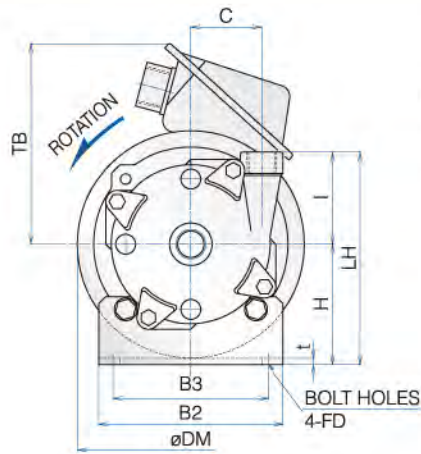
M4022-W5-FJ (Option)

O RING: Fluorine Rubber  
CONNECTION: PIPE With FLANGE  
ISO 7005 1(JIS 10K RF)

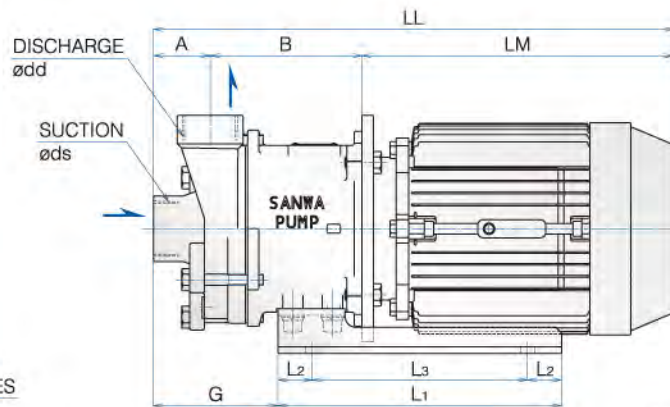
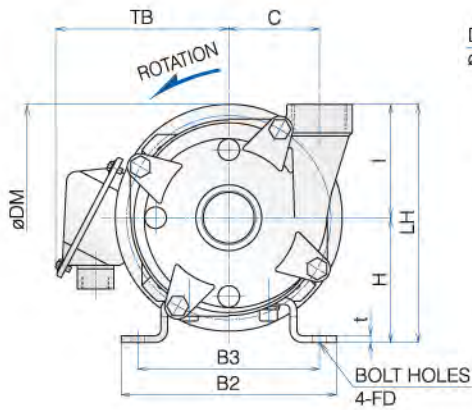
**Selection Chart**



## Outline Dimension



[Fig. 1]



[Fig. 2]

( In the unit of mm )

TYPE	CODE	MOTOR		BORE		PUMP & MOTOR								BASE PLATE							WEIGHT APPROX(kg)			Fig.				
		SIZE	FLAME SIZE	OUTPUT (kW)	SUCT. ds	DISCH. dd	A	B	C	H	I	LH	øDM	TB	LM	LL	G	L1	L2	L3	B2	B3	t		FD	PUMP	MOTOR	TOTAL
M	1503	W5 W6	71M	0.37	15 (Rc 1/2)	15 (Rc 1/2)	30	79	50	85	65	150	160	142	231	340	88	145	37	90	130	110	4.5	ø10	5.5	11.0	16.5	1
	2005	W5 W6	71M	0.55	20 (Rc 3/4)	20 (Rc 3/4)	45	77	65	85	80	165	160	151	231	353	108	145	37	90	130	110	4.5	ø10	6.4	11.0	17.4	
	2505	W5 W6	71M	0.55	25 (Rc 1)	25 (Rc 1)	35	87	55	85	60	145	160	151	231	353	108	145	37	90	130	110	4.5	ø10	5.8	11.0	16.8	
	2007	W5 W6	80M	0.75	20 (Rc 3/4)	20 (Rc 3/4)	45	109	65	110	80	190	200	157	233	387	80	250	30	190	190	160	6	ø12	12.0	12.5	24.5	2
	2515	W5 W6	90L	1.5	25 (Rc 1)	25 (Rc 1)	55	124	65	110	80	190	200	153	275	454	105	250	30	190	190	160	6	ø12	13.0	16.5	29.5	
	2522	W5 W6	90L	2.2	25 (Rc 1)	25 (Rc 1)	60	119	80	110	90	200	200	153	275	454	105	250	30	190	190	160	6	ø12	14.0	18.0	32.0	
	4022	W5 W6	90L	2.2	40 (Rc 1/2)	40 (Rc 1/2)	50	134	80	110	100	210	200	153	275	459	110	250	30	190	190	160	6	ø12	15.0	18.0	33.0	

※ LM,LL,TB dimensions and motor weight may vary depending on motor used.



Stainless Magnet Drive Pump  
STAINLESS MAG

*These highly trustworthy pumps provide total support to customers' requirements in various fields with its high quality.*

For more than 78 years, with the technological advancement we've mastered, high quality is assured in the field of basic design, material selection as well as test run of final product.

Furthermore, we are constantly working on developing more and more reliable customer relationship from the initial consulting to after service stage.



Kyoto Factory



**Made in Japan**



STAINLESS MAG SERIES has CE marking.

MANUFACTURER **SANWA HYDROTECH CORPORATION**

**HEAD OFFICE. OVERSEAS BUSINESS DEPARTMENT**

No. 11-33, Minamikaneden 2-chome, Suita, Osaka, 564-0044 Japan

Tel. +81-6-6330-5984 Fax. +81-6-6330-5975

E-mail : [sxobd@sanwapump.co.jp](mailto:sxobd@sanwapump.co.jp)

[English] <http://www.sanwapump.com>

[Japanese] <http://www.sanwapump.co.jp>

- The contents of this catalogue are subject to partial changes without notice, for the reason of product modification.
- The information and data given in this catalogue should not be taken as to guarantee the detail, specification or performance of our products.